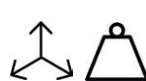
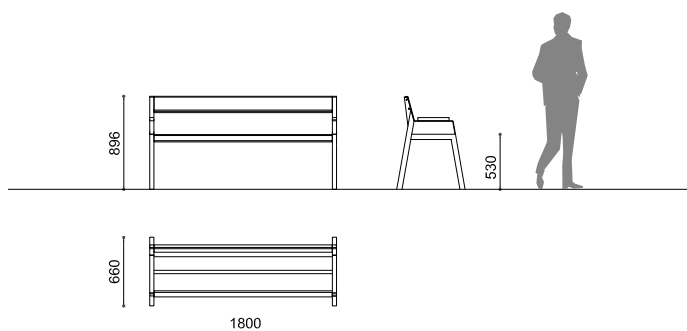


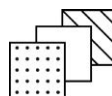


Bench with backrest and armrests consisting of two 50x40x2 mm tubular steel supports and seat with 4 mm thick folded steel sheet frame and WPC slats. The backrest and armrests are made of 4 mm thick folded steel. The armrest is fitted with a 40x32 mm thermo-treated pine slat. All metal parts are galvanised and coated with thermosetting polyester powder. All fixings are in AISI304 stainless steel. Prepared for ground fixing through M10 threaded bars to cement (included).

technical data



1800x660 mm
H 896 mm h 530 mm
55 kg



Galvanised and powder coated steel
WPC



Prepared for ground fixing through M10 threaded bars to cement (included)

